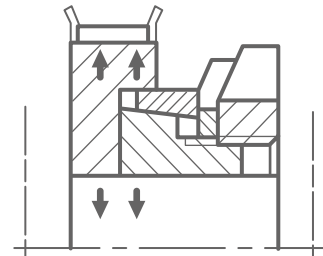
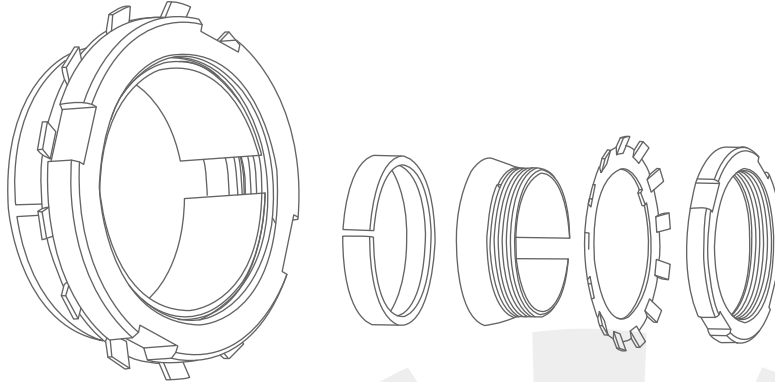


CAPT-LOCKS



suit for shaft diameter
f14-f70mm

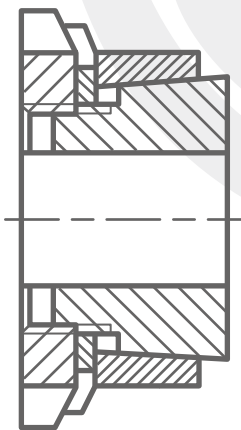


HL type CAPT locks are suitable for connection between medium or small diameter shaft and hubs. They can be self-centered installed and their concentricity is very high with a low production cost. The shaft diameter and the bore of hubs are both in straight line, so machining process is not very complicated.

The working principle of HL type CAPT locks is as following: twist the round nut on the inner hub with outer taper surface, making it move axially, press the outer ring with taper bore, pressure and friction cause the joint between the hubs and shafts together without key and clearance.

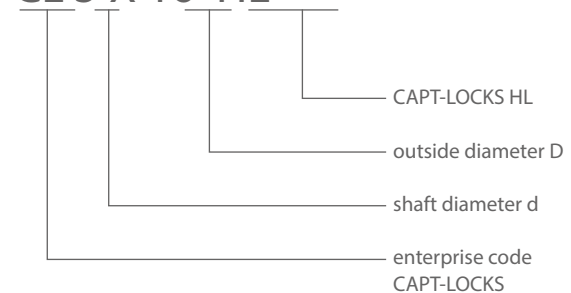
HL type CAPT locks can be installed with only one round nut. Twist the nut to tighten the hubs and shaft, lock the round nut by relevant washer, which can prevent Capt lock from moving axially and ensure the torque transmitted enough.

HL type Capt locks can be installed and used only if the axial length of the inner bore of hub is smaller than the dimension B of CAPT lock.



Nomenclature for CAPT-LOCKS HL

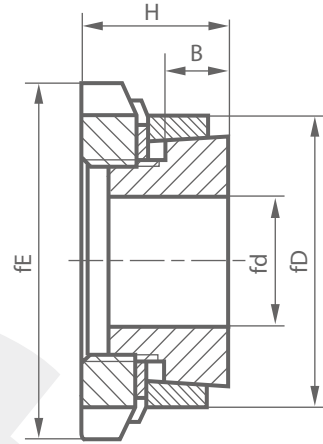
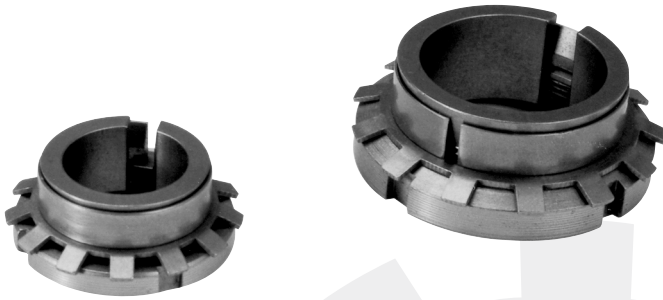
CL 5 X 16 HL



HL CAPT-LOCKS

CAPT-LOCKS

HL



HL CAPT-LOCKS[®]

Catalog dxD	Fundamental dimensions			Locking nut		Rated load		Ps	Ph	G
	B	H	E	Sizes	Ma(N.m)	Ft(Kn)	Mt(Kn.m)	Mpa	Mpa	Kg
CL14x25HL	6.5	16.5	32	M20x1.0	95	5.1	0.038	200	110	0.06
CL15x25HL	6.5	16.5	32	M20x1.0	95	5.5	0.041	185	110	0.06
CL16x25HL	6.5	16.5	32	M20x1.0	95	5.45	0.043	174	110	0.06
CL17x26HL	6.5	16.5	32	M20x1.0	95	5.5	0.047	164	107	0.07
CL18x26HL	6.5	16.5	32	M22x1.0	95	5.4	0.049	155	107	0.07
CL18x30HL	6.5	18	38	M25x1.5	160	6.6	0.058	185	112	0.07
CL19x30HL	6.5	18	38	M25x1.5	160	6.6	0.062	176	112	0.08
CL20x30HL	6.5	18	38	M25x1.5	160	6.6	0.066	167	111	0.08
CL22x32HL	6.5	18	38	M25x1.5	160	6.6	0.073	152	105	0.09
CL24x35HL	6.5	18	45	M30x1.5	220	8.75	0.105	185	127	0.09
CL25x35HL	6.5	18	45	M30x1.5	220	8.8	0.11	178	127	0.09
CL28x36HL	6.5	18	45	M32x1.5	220	8.55	0.12	159	124	0.14
CL28x40HL	7	19.5	52	M35x1.5	340	10.6	0.149	188	141	0.15
CL30x40HL	7	19.5	52	M35x1.5	340	10.6	0.16	164	123	0.14
CL32x42HL	8	21.5	55	M36x1.5	340	10.6	0.17	154	117	0.16
CL35x45HL	8	21.5	58	M40x1.5	480	13.1	0.23	153	120	0.17
CL36x45HL	8	21.5	58	M40x1.5	480	13.3	0.24	149	120	0.16
CL38x48HL	8	21.5	62	M42x1.5	480	13.1	0.25	141	112	0.27
CL38x50HL	8	21.5	62	M42x1.5	480	13.1	0.25	141	112	0.28
CL40x50HL	10	24.5	65	M45x1.5	680	15.5	0.31	124	93	0.24
CL40x52HL	10	24.5	65	M45x1.5	680	15.5	0.31	120	93	0.26
CL42x55HL	10	24.5	68	M48x1.5	680	15.2	0.32	114	87	0.28
CL45x55HL	10	25.5	70	M50x1.5	870	17.7	0.4	122	96	0.30
CL45x57HL	10	25.5	70	M50x1.5	870	17.7	0.4	122	96	0.30
CL48x60HL	10	25.5	75	M55x2.0	970	20.8	0.5	135	105	0.36
CL50x60HL	10	25.5	75	M55x2.0	970	20.8	0.52	130	105	0.32
CL50x62HL	10	25.5	75	M55x2.0	970	20.8	0.52	130	105	0.32
CL55x65HL	12	27.5	80	M60x2.0	1100	22	0.61	103	84	0.38
CL55x68HL	12	27.5	80	M60x2.0	1100	22	0.61	103	84	0.38
CL56x68HL	12	27.5	80	M60x2.0	1100	22	0.62	101	82	0.39
CL60x70HL	12	28.5	85	M65x2.0	1300	26.6	0.8	113	93	0.43
CL60x73HL	12	28.5	85	M65x2.0	1300	26.6	0.8	113	93	0.43
CL63x79HL	14	30.5	92	M70x2.0	1600	31.1	0.98	107	86	0.47
CL65x79HL	14	30.5	92	M70x2.0	1600	31.1	1.01	104	86	0.50
CL70x84HL	14	31.5	98	M75x2.0	2000	35.4	1.24	110	92	0.65